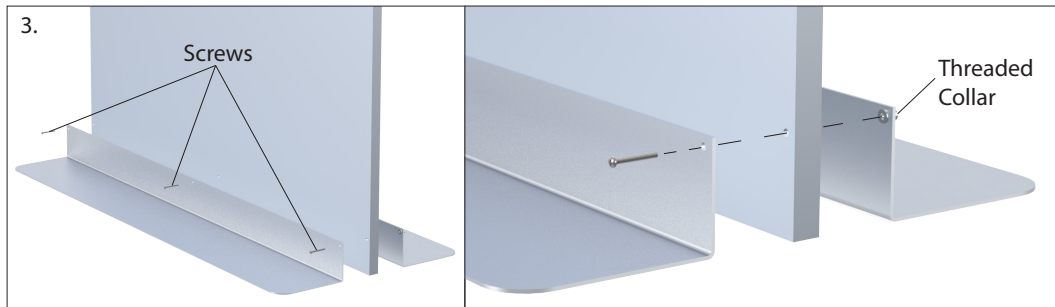
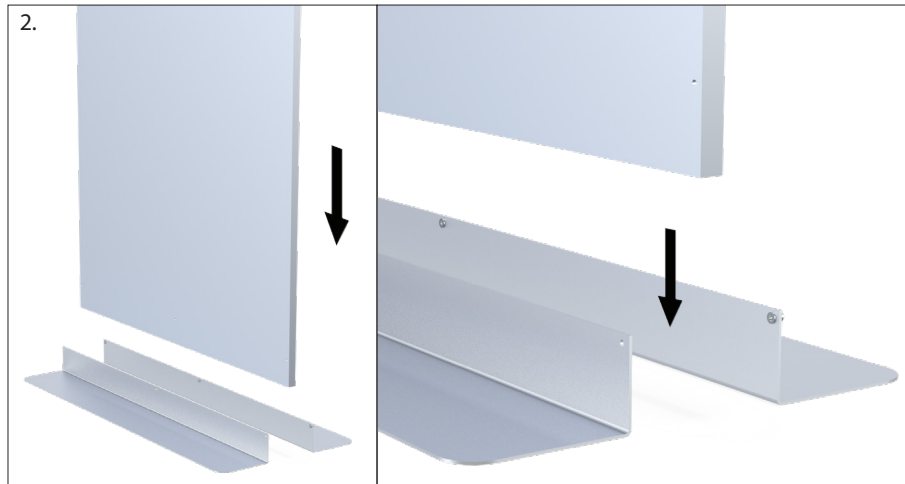
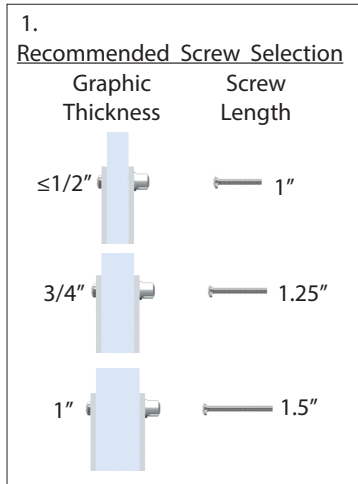


Adjustable Double LL Mount - ALL Series

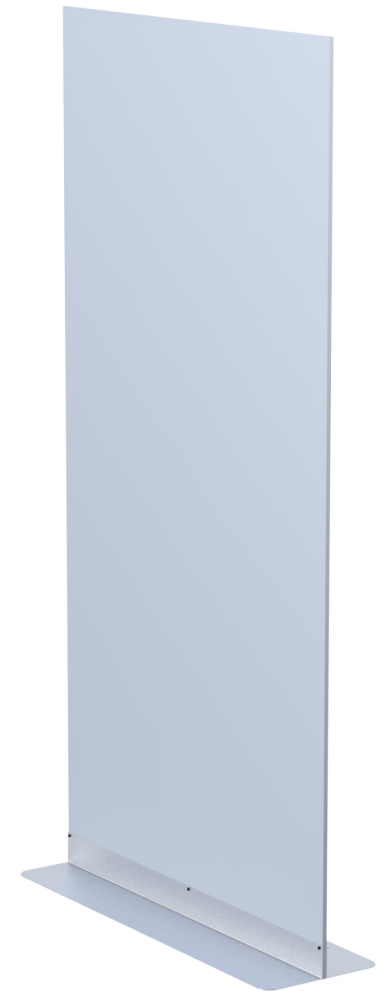
1. Select screws based on graphic thickness. 36" wide and smaller units have 2x mounting holes for graphic, 48" wide and larger units have 3x mounting holes for graphic.
2. Place graphic between base plates.
3. Insert screws through front plate and graphic, then fasten to threaded collar on back plate.

1. Recommended Screw Selection

Graphic Thickness	Screw Length
≤1/2"	1"
3/4"	1.25"
1"	1.5"



Scan QR code for PDF showing exact hole placement on graphic



ALL48 shown